

# P-Series, ULTIMA Steel Hand Pumps

▼ Shown from left to right: P-77, P-80, P-84, P-801, P-39



- Reduced handle effort and ergonomic grip for less operator fatigue
- Two-speed operation for fast and easy operation (except P-39)
- Vent free reservoir eliminates spills
- Quick grip handle allows for easy transport
- Integral reservoir over-pressurization protection
- All steel construction, chrome plated plunger and wiper system for durable, long lasting performance
- 4-way valving on the P-84 and P-464 for operation of double-acting cylinders.

▼ In the absence of a power supply, the P-80 Hand Pump offers a powerful solution.



## The Solution for Tough Jobs



### Two Speed Pumps

Recommended for applications where cylinder plunger must advance rapidly to load contact, and applications where greater oil capacities are required, such as multiple cylinder hook-ups.



### Foot Pump Conversion Kits

Convert your P-39, P-77, P-80 or P-801 to foot power with the **PC-11** Kit. Includes instructions for easy conversion.



### Gauges

Minimize the risk of overloading and ensure long, dependable service from your equipment. Refer to the System Components section for a full range of gauges.

Page: 124



### 4-Way Control Valve

**P-84** and **P-464** feature a manual 4-way control valve, designed for use with one double-acting or two single-acting cylinders. For system set-up information:

Page: 250

Pump Type	Usable Oil Capacity (cm <sup>3</sup> )	Model Number	Pressure Rating ** (bar)		Oil Displacement per Stroke (cm <sup>3</sup> )		Max. Handle Effort (kg)
			1 <sup>st</sup> stage	2 <sup>nd</sup> stage	1 <sup>st</sup> stage	2 <sup>nd</sup> stage	
Single	770	<b>P-39</b>	-	700	-	2,46	39
Two-Speed	770	<b>P-77</b>	34	700	16,39	2,46	40
	2200	<b>P-80 *</b>	34	700	16,39	2,46	35
	4100	<b>P-801</b>	34	700	16,39	2,46	35
	2200	<b>P-84</b>	34	700	16,39	2,46	35
	7423	<b>P-462</b>	14	700	126,20	4,75	49
	7423	<b>P-464</b>	14	700	126,20	4,75	49

\* Available as a set, see note on next page.

\*\* Contact Enerpac for applications where operating pressure is less than 10% of pressure rating.

# ULTIMA Steel Hand Pumps

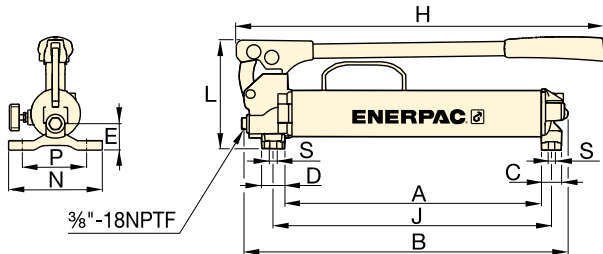
## P Series



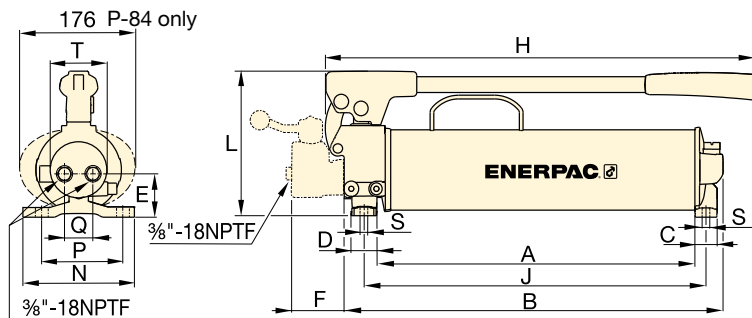
Reservoir Capacity:  
**770 - 7423 cm<sup>3</sup>**

Flow at Rated Pressure:  
**2,46 - 4,75 cm<sup>3</sup>/stroke**

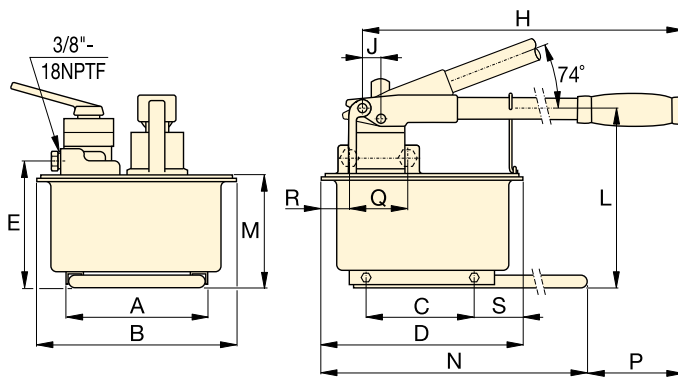
Maximum Operating Pressure:  
**700 bar**



**P-39, P-77**



**P-80, P-801, P-84**



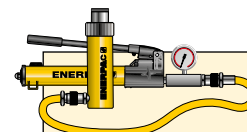
**P-462, P-464**



### Extra Capacity Hand Pumps

**P-462 and P-464** feature extra large reservoirs and high first-stage flow rate.

These pumps are ideally suited for powering high-capacity cylinders.



### Pump-Cylinder Sets

The **P-80** is also available as set (pump, cylinder, gauge, couplers and hose) for your ordering convenience.

Page: **58**



### Cylinder Matching Chart

For help in selecting the correct hand pump for your application, please refer to the Cylinder Matching Chart located in the 'Yellow Pages'.

Page: **248**

Piston Stroke (mm)	Dimensions (mm)																	Model Number
	A	B	C	D	E	F	H	J	L	M	N	P	Q	R	S	T		
25,4	383	480	30	35	37	-	550	416	163	-	140	111	-	-	8,4	-	6,2	<b>P-39</b>
25,4	391	487	30	35	47	-	550	424	163	-	140	111	-	-	8,4	-	7,1	<b>P-77</b>
25,4	428	511	30	35	55	-	579	460	195	-	150	121	42	-	8,4	74	10,7	<b>P-80*</b>
25,4	428	511	30	35	55	-	579	460	195	-	150	121	42	-	8,4	74	14,1	<b>P-801</b>
25,4	428	510	30	35	55	70	579	460	195	-	150	121	38	-	8,4	74	11,8	<b>P-84</b>
38,1	210	308	163	320	195	-	671	25	270	175	650	92	-	-	80	-	27,7	<b>P-462</b>
38,1	210	308	163	320	195	-	671	25	270	175	650	92	89	68	80	-	27,7	<b>P-464</b>